

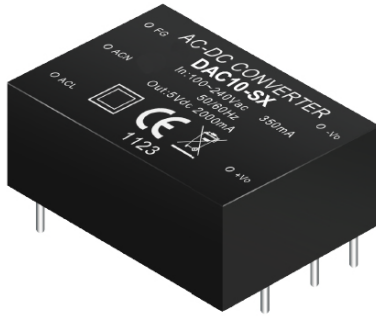


ETA-USA

The Power Professionals

DAC-10

10W AC/DC



Features

- Available in Wide range of output VDC
- Isolated output 3000VAC
- Up to 82% Efficiency
- Encapsulated compact size 2" X1
- CE recognized
- ITE & AC Motor Applications
- **3 year warranty**



MODEL/CHANNEL		Unit	DAC10-3.3	DAC10-05	DAC10-12	DAC10-15
OUTPUT	Nominal Voltage	V	3.3	5	12	15
	Current	A	3	2	1	0.8
	Efficiency	%	74	76	80	80
	Voltage Accuracy	%	+/-3		+/-2%	
	Ripple & Noise(max.) (*1)	mV	150			
MODEL/CHANNEL		Unit	DAC10-24		DAC10-48	
	Nominal Voltage	V	24		48	
	Current	A	0.5		0.25	
	Efficiency	%	80		82	
	Ripple & Noise(max.) (*1)	mV	240			
	Load Regulations	mV	+/-2%			
	Line Regulations	mV	+/-1%			
	Voltage Accuracy	%	+/-2%			
	Over Load Protection	-	Auto Recovery Above 110% rated output power			
	Short Circuit Protection	-	CONT. Auto Recovery			
	Transient Recovery Time	-	Vi nom, Io nom = 0.5 Io nom Typ. 1000us			
INPUT	Voltage, Frequency	V	Universal Input voltage AC 90V~264V (DC 120~370VDC); 47~63Hz			
	Min Load	-	0%			
	Inrush Current Typ.	A	115V 12A (Ta=25°C, Io=100% at cold start); 230V 20A (Ta=25°C, Io=100% at cold start)			
	Operating Frequency	KHz	65			
Electrical Isolation	Isolation Voltage	-	Input/Output 3KVac/ 5mA/5Secs			
	Isolation Resistance	-	Input/Output, @500 Vdc 100MΩ			
	Operating Temp. & Hum.	-	-20~ +70°C			
	Storage Temp. & Hum.	-	-40~+85°C Humidity 95% 5RH%			
	Derating	-	Vi nom, Io nom +51 to 71°C 2%/°C			
Dimension	Size(LxWxH) / Weight	mm/g	L63.5 x W44.45 x H19.05mm L2.5x W1.75 x H0.75 inches			
	Safety	-	CE EN60950-1, EMI C compliance to EN55022; EMS Immunity Compliance to EN55024			



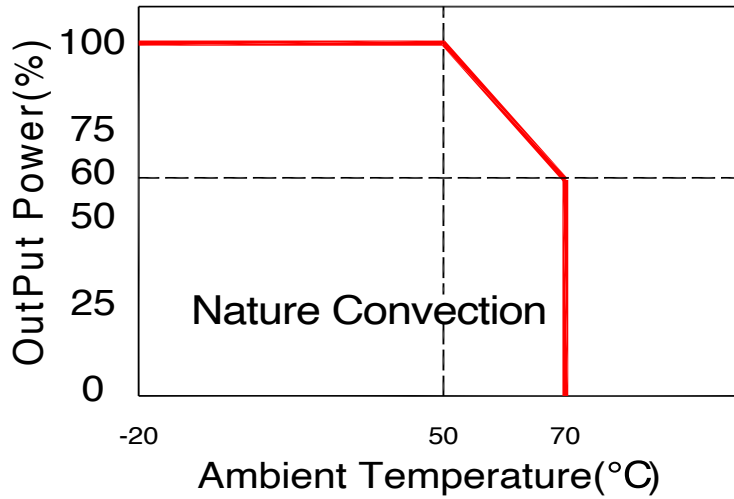
ETA-USA

16170 Vineyard Blvd. Suite 180 Morgan Hill, CA 95037 <http://www.eta-usa.com>

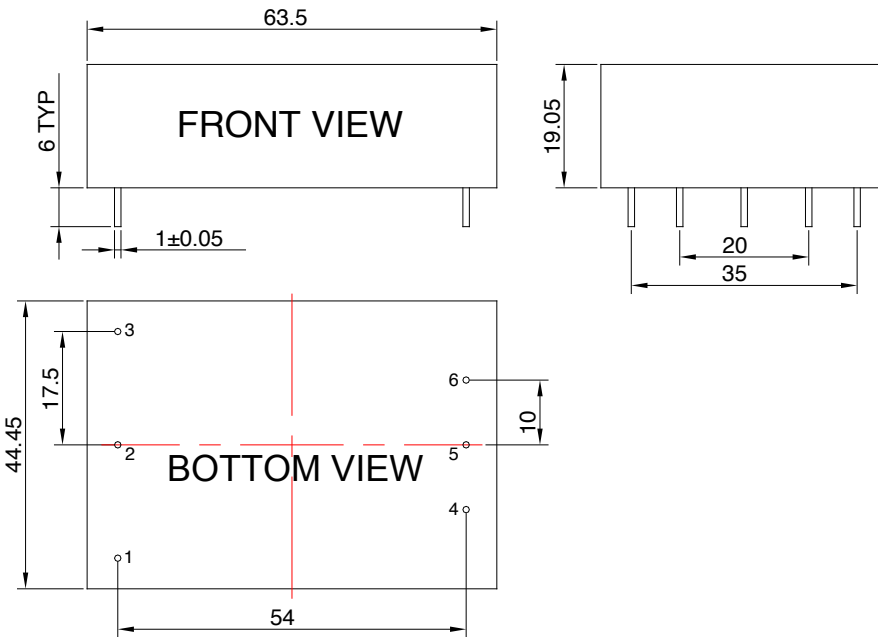
Toll-free (US only): 800-ETA-POWR (800-382-7697) Telephone: 408 778-2793 FAX: 408-779-2753



Derating Curve & Mounting Diagram



Dimension Diagram (mm)

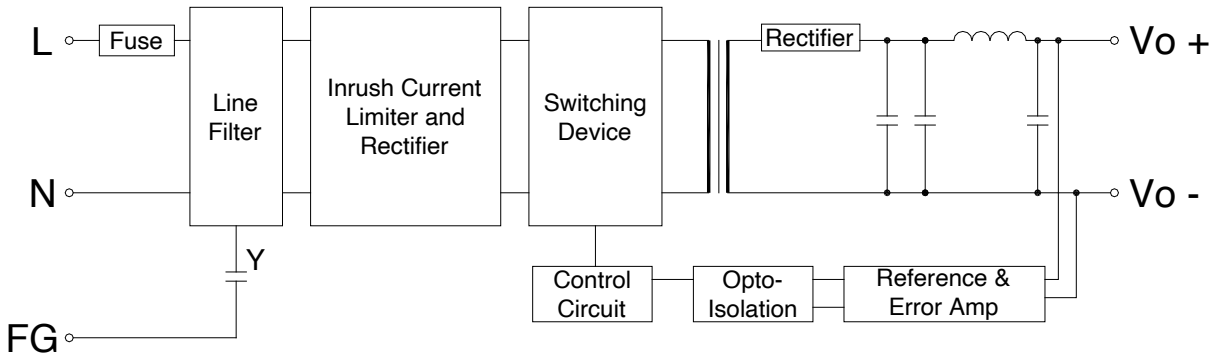


Unit: mm Unless otherwise specified, all tolerances are ± 0.5





Block Diagram



Terminal Output

PIN	Model		
	Single	Dual	Dual
1	FG	FG	FG
2	ACN	ACN	ACN
3	ACL	ACL	ACL
4	-Vo	-Vo	+Vo2
5	NO PIN	COM	COM
6	+Vo	+Vo	+Vo1

