



## AOPS 100



### Features

- Small Size
- Built in PFC circuit
- Wide Input voltage range 100-240 VAC
- Over voltage protection
- Overcurrent protection
- **4 Yr warranty**

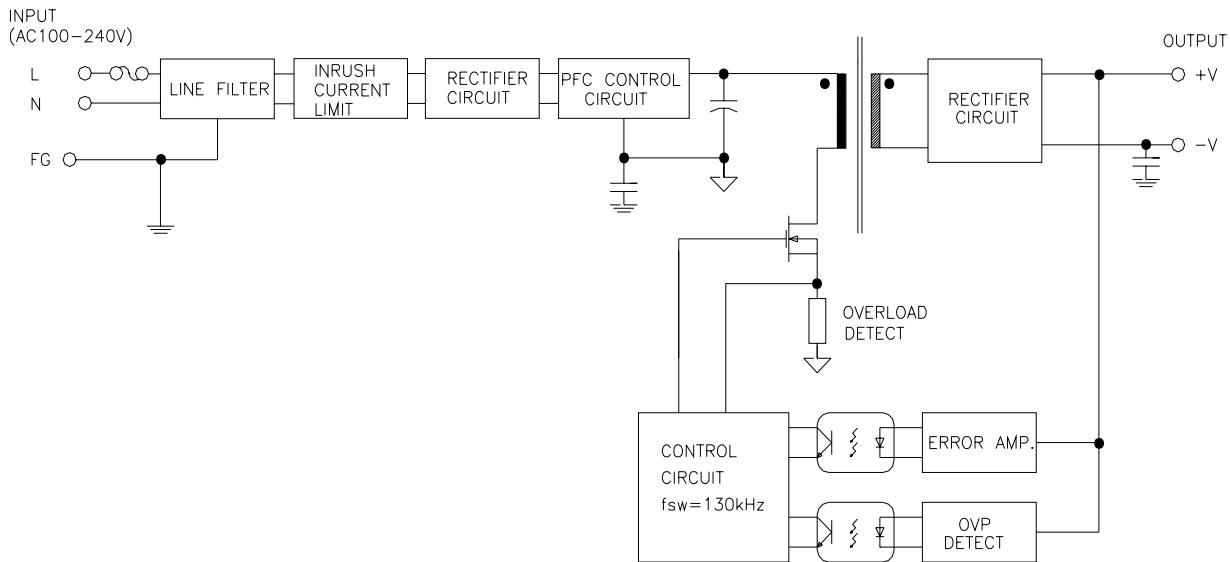


	MODEL/CHANNEL	Unit	AOPS100-3.3	AOPS100-5	AOPS100-9	AOPS100-12	AOPS100-15	AOPS100-24	AOPS100-48	
<b>OUTPUT</b>	Nominal Voltage	V	3.3	5	9	12	15	24	48	
	Current peak	A	20	20	11	8.4	6.7	4.2	2.1	
	Rated Power	W	66	100	99	101	101	101	101	
	Ripple	mV	80	80	90	120	150	240	480	
	Line Regulations	mV	25	25	45	60	75	120	240	
	Load Regulations	mV	50	50	90	120	150	240	480	
	Temperature Drift	mV	50	75	135	180	225	360	720	
	Ripple & Noise(pk-pk) (*1)	mV	120	120	140	170	200	290	530	
	Turn-on Time typ.	ms	1000 (AC IN 110/220V, Io=100%)							
	Hold-up Time typ.	ms	17 (AC IN 110/220V, Io=100%)							
<b>INPUT</b>	Voltage, Frequency	V	AC100-240 (AC85-264), 50/60Hz(47-63) or DC 125-370V (Universal Input)							
	Current Typ.	A	0.9	1.3						
			0.45	0.65						
	Efficiency	%	75	81	81	82	79	81	81	
			80	83	85	85	82	84	83	
	Power Factor Typ.	-	0.99 (Io=100%) 0.95 (Io=100%)							
Inrush Current Typ.	A	20(Ta= 25°C, Cold Start) 40(Ta= 25°C, Cold Start)								
<b>Function</b>	Over Voltage Protection	V	Works @ 115-140% pf							
	Over Current Protection (*2)	A	Works @ 105%~135% of rating.							
<b>Electrical Isolation</b>	(1) Input - Output	-	AC 3KV 1min., cut-off: 20mA / DC 500V 100 MO							
	(2) Input - F.G	-	AC 2KV 1min., cut-off: 20mA / DC 500V 100 MO							
	(3) Output - F.G	-	AC 0.5KV 1min., cut-off: 100mA / DC 500V 100 MO							
<b>Environment</b>	Operating temp. & Humidity	-	-10 ~+70°C (with derating, Io=100% to 50% when 50°C to 71°C) 20~90% RH (NON condensing)							
	Storage temp. & Humidity	-	-20 ~+75°C, 20~90% RH (NON condensing)							
	Vibration	-	10~55Hz @ 1G 3 minutes PERIOD, 30 minutes along X,Y & Z axis							
	Impact	-	10G for 20ms, once on each X, Y, Z axis							
	Safety	-	CB, CE, RU Approved							
	Emission	-	Complies with EN55022-B							
	PFHC	-	Harmonic Current Complies with IEC61000-3-2							
	<b>Dimension</b>	Size(WxLxH) / Weight	mm/g	165x81.2x36.5/400						





## Block Diagram



## Terminal Connection

Mark	Pin Connection	Function
L	AC L	SMPS AC Terminal ( Fuse in Line)
N	AC N	SMPS AC Terminal
F.G	Frame ground	SMPS AC, CASE
+V	DC Output (+)	DC (+) Terminal
-V	DC Output (-)	DC (-) Terminal

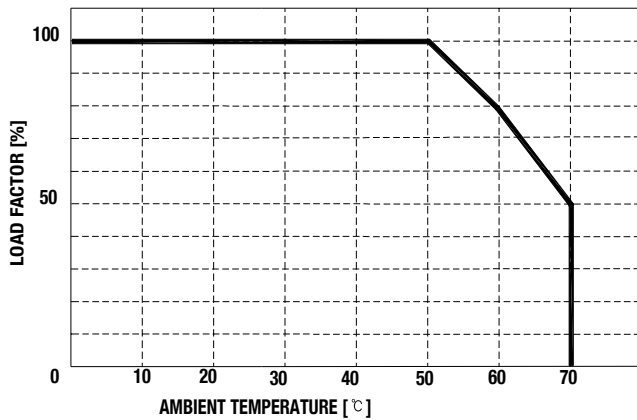
\* 100W, 150W +V -V terminal 2.



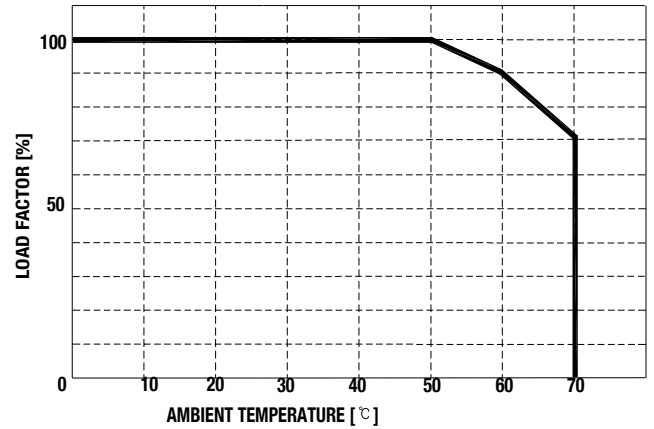


## Derating Curve

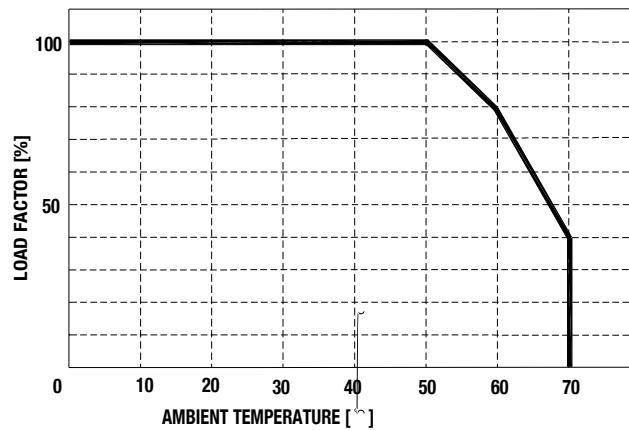
6-2-1. PSF100-05



6-2-2. PSF100-12



6-2-3. PSF100-24





**AOPS100**

