



ETA-USA

The Power Professionals

AOJS35

35W AC/DC



Features

- Inrush Current Limit
- Wide Input voltage range
- Universal input 100-240V
- Over voltage protection
- Overcurrent protection
- 3 Yr warranty



MODEL/CHANNEL		Unit	AOJS35-3.3	AOJS35-5	AOJS35-9	AOJS35-12	AOJS35-15	AOJS35-24	AOJS35-48	
OUTPUT	Nominal Voltage	V	3.3	5	9	12	15	24	48	
	Current	A	7	7	4	3	2.4	1.5	0.8	
	Rated Power	W	23	35	36	36	36	36	38	
	Line Regulations	mV	17	25	45	60	75	120	240	
	Load Regulations	mV	66	75	50	60	75	120	240	
	Temperature Drift	mV	50	75	135	180	225	360	720	
	Ripple & Noise(pk-pk) (*1)	mV	80	80	120	120	120	120	200	
	Ripple	mV	50	50	100	100	100	100	180	
	Turn-on Time typ.	ms	1200 max (AC IN 100V, Io=100%)							
	Hold-up Time typ.	ms	15 (AC IN 100V, Io 100%)							
INPUT	Voltage, Frequency	V	AC100-240V (AC88~264VAC), 50/60Hz(47-440) or DC240-370V (User selectable)							
	Current Typ. 110V 220V	A	0.8 (Io 100%) 0.55 (Io 100%)							
	Efficiency Typ. 110V 220V	%	75	78	81	82	83	84	84	
	Inrush Current Typ. 110V 220V	A	20A (AC IN 110V, LO=100%, 40A TYP (AC IN 220V, LO-100%, Cold Start)							
Function	Over Voltage Protection	V	Works at over 115~140% of rating							
	Over Current Protection(*2)	A	Works at over 110%							
	Remote Sensing	-	Available							
	Remote ON.OFF	-	Available							
	Cooling/O.T.P	-	Convection cooling							
Electrical Isolation	(1) Input - Output	-	AC 3 KV 1min., cut-off: 20mA / DC 500V 100 MO							
	(2) Input - F.G	-	AC 1.5 KV1min., cut-off: 20mA / DC 500V 100 MO							
	(3) Output - F.G	-	AC 0.5 KV 1min., cut-off: 100mA / DC 500V 100 MO							
	Operating temp. & Humidity	-	-25 ~+70°C with derating. 20~90% RH (NON condensing)							
	Storage temp. & Humidity	-	-40 ~85°C 10~90% RH (NON condensing)							
	Vibration	-	10~55Hz @ 1 G 3 minutes PERIOD, 30 minutes along X,Y & Z axis							
Dimension	Size(WxDxH) / Weight	mm/g	99Wx82Lx36H/330							
Safety	CB, CE, RU	-	Approved							
Emissions	Conducted Emission	-	Complies with-E55022-B, FCC-B, EN55011N							



ETA-USA

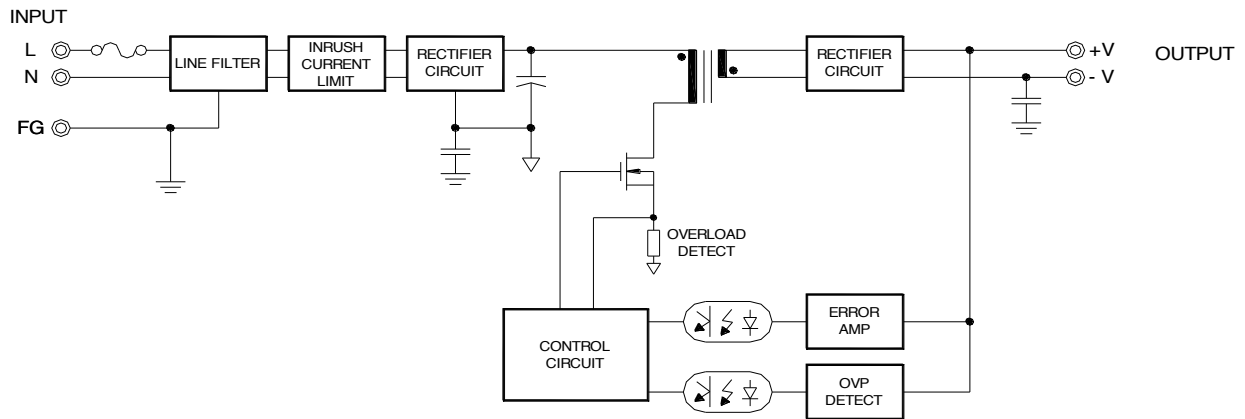
16170 Vineyard Blvd. Suite 180 Morgan Hill, CA 95037 <http://www.eta-usa.com>
 Toll-free (US only): 800-ETA-POWR (800-382-7697) Telephone: 408 778-2793 FAX: 408-779-2753



ETA-USA

The Power Professionals

Block Diagram



Mark	Pin Connection	Function
L	AC L	AC Terminal (Fuse in Line)
N	AC N	AC Terminal
F.G	Frame ground	AC, CASE
+V	DC Output (+)	DC (+) Terminal
-V	DC Output (-)	DC (-) Terminal



ETA-USA

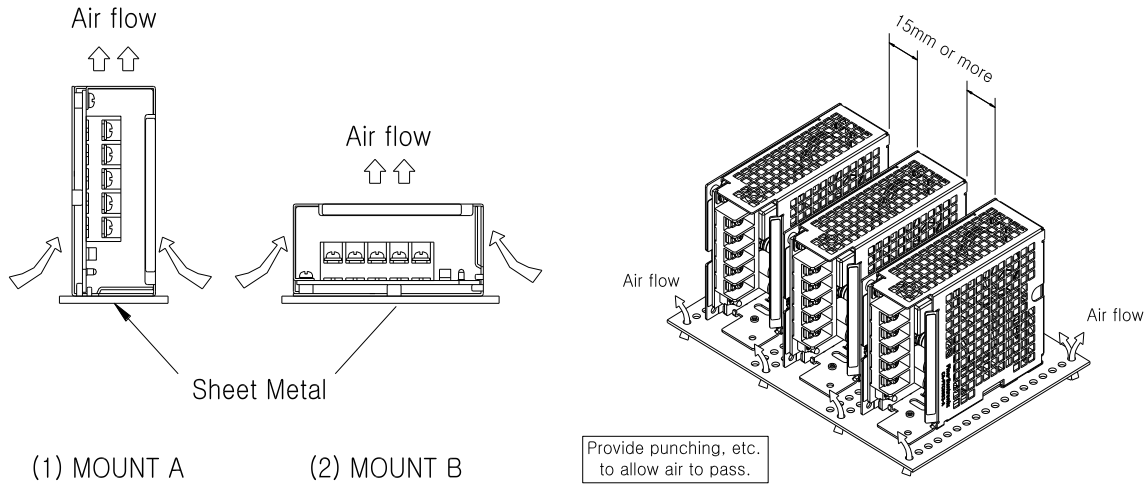
16170 Vineyard Blvd. Suite 180 Morgan Hill, CA 95037 <http://www.eta-usa.com>
Toll-free (US only): 800-ETA-POWR (800-382-7697) Telephone: 408 778-2793 FAX: 408-779-2753



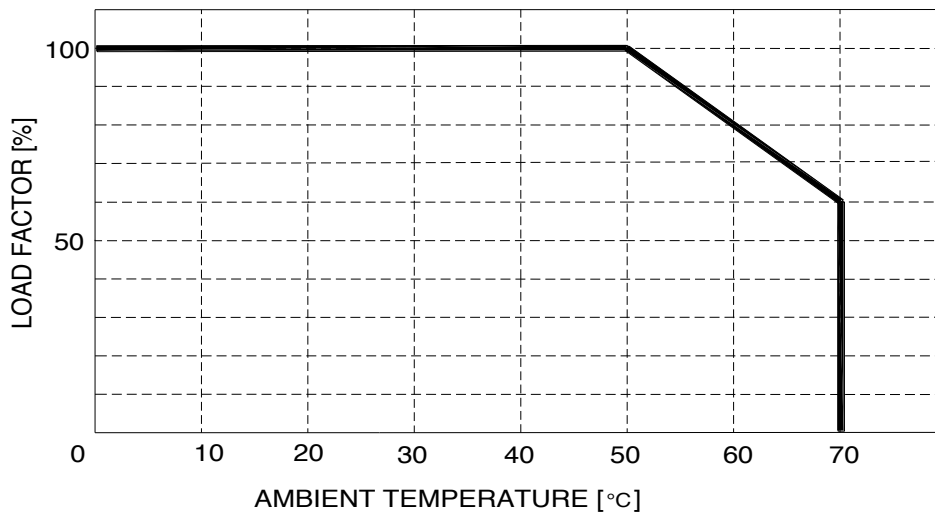
ETA-USA

The Power Professionals

Mounting Selection



Output Derating Curve



ETA-USA

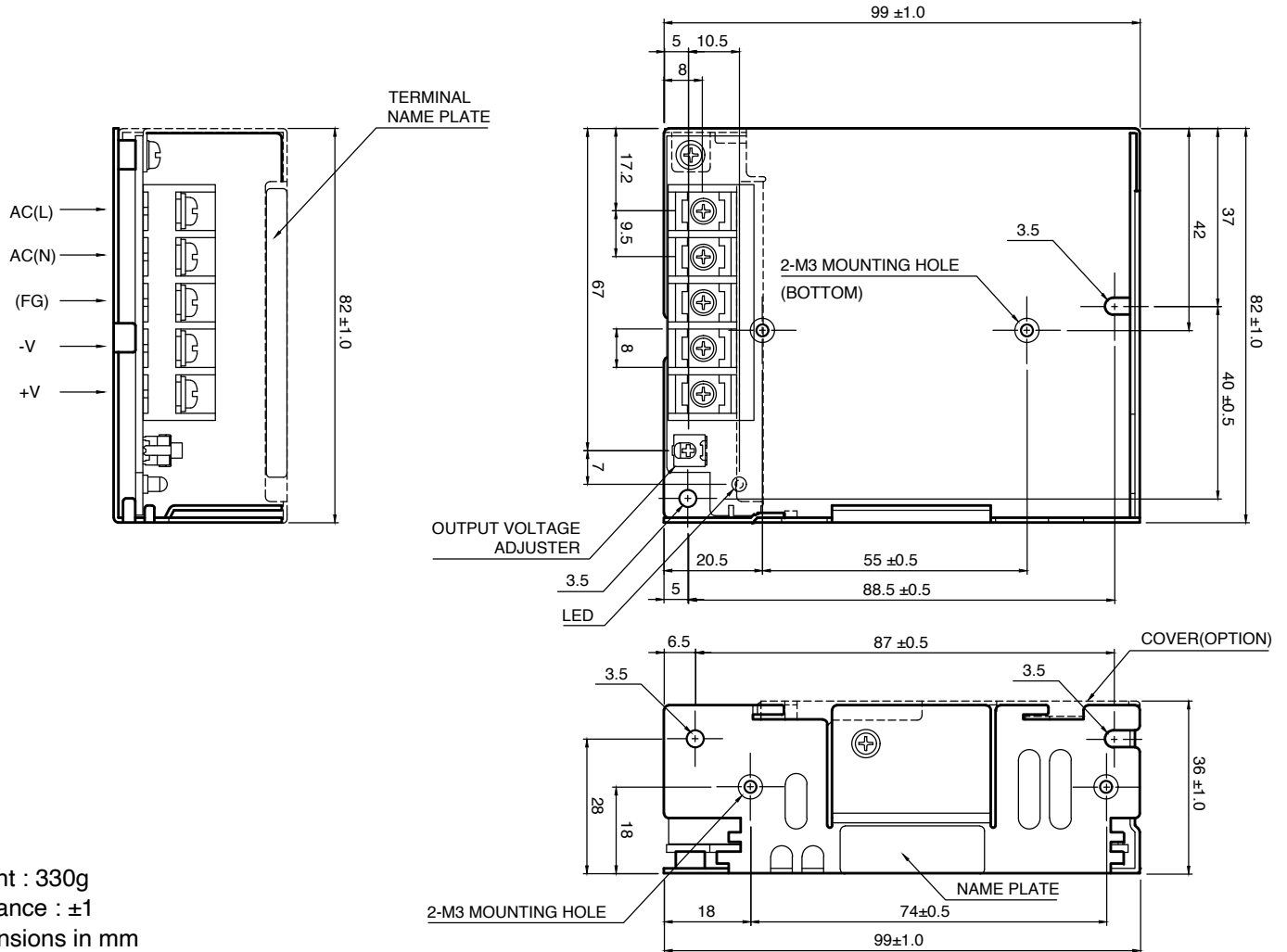
16170 Vineyard Blvd. Suite 180 Morgan Hill, CA 95037 <http://www.eta-usa.com>
Toll-free (US only): 800-ETA-POWR (800-382-7697) Telephone: 408 778-2793 FAX: 408-779-2753



ETA-USA

The Power Professionals

AOJS35



- * Weight : 330g
- * Tolerance : ± 1
- * Dimensions in mm



ETA-USA

16170 Vineyard Blvd. Suite 180 Morgan Hill, CA 95037 <http://www.eta-usa.com>
Toll-free (US only): 800-ETA-POWR (800-382-7697) Telephone: 408 778-2793 FAX: 408-779-2753